

# COOLBOX



FCR/FC15 FCR/FC30 FCR/FC40 FCR/FC50

## COOLBOX MANUAL



Ver:1.3

Thank you for choosing smart portable refrigerator products. Please read this manual carefully before using. Keep the manual in a safe place. Please hand on this manual together if you deliver the refrigerator to another person.

## Contents

<b>1. Manual Notifications</b>	<b>1</b>
<b>2. Safety Instructions</b>	<b>1</b>
<b>3. Safety Warning</b>	<b>7</b>
<b>4. Operation</b>	<b>10</b>
<b>5. Use of refrigerators</b>	<b>12</b>
<b>6. Cleaning and Maintenance</b>	<b>16</b>
<b>7. Other Settings</b>	<b>17</b>
<b>8. Battery Power Operation</b>	<b>18</b>
<b>9. Troubleshooting</b>	<b>19</b>
<b>10. Technical Data</b>	<b>21</b>
<b>11 Product Safety Certification</b>	<b>23</b>

# Manual Notifications

## **WARNING !**

- Safety instructions: Improper operation may cause fatal or serious injury, and damage to the refrigerator.
- Safety instructions related to current or voltage. Failure to follow this instruction may lead to injury or damage to the refrigerator and impair the function of the product.

## **CAUTION !**

- Safety instructions: failure to observe this instruction can lead to injury.

# Safety Instructions

## **WARNING !**

### **1 The manufacturer hereby declares not responsible for damage caused by the following actions.**

- Overvoltage and mechanical breakage lead to refrigerator damage.
- Retrofitting the refrigerator without the permission of the manufacturer.
- Failure to follow the manual instructions.

## **WARNING !**

### **2 Warning - Fatal Hazard from Electric Shock**

- Never touch the damaged power cable directly with your hands, especially when it is connected to AC mains supply. It's very dangerous!
- Disconnect the refrigerator and other power consuming devices from the battery before connecting the quick charging device.
- Check that the voltage specification on the type plate corresponds to that of the energy supply.

- Do not try to open the circuit part of the product.

### **CAUTION !**

- If you are operating your refrigerator on board a boat from a mains connection of 100- 240 V $\sim$  , you must install a residual current circuit breaker between the 100 - 240 V $\sim$  mains and the refrigerator.
- Seek advice from a trained technician.

### **CAUTION !**

- Battery contains acid and corrosive substances. Careful with using.
- Do not store any corrosive substances.
- Do not place obstructions in or near the compressor refrigeration system of the product.
- Do not use electrical devices inside the refrigerator.
- If this device's power cable is damaged, it must be replaced by the manufacturer or a similarly qualified person in order to prevent safety hazards.

## **Operating the device safely**

### **CAUTION !**

- Product working voltage: DC 12V/24V
- The refrigerator is suitable for cooling and freezing food. The model FC/FCR 15/30/40/50 are all single zone refrigerators.

### **WARNING !**

- The temperature display is based on the temperature at the center of the container.
- Compressor refrigerators can be used for home, car or boat, and can also be used for camping.



- The temperature display is based on the temperature at the center of the container.

## **WARNING !**

- The refrigerator can work properly when the ambient temperature is between -5° C to +43° C and the maximum humidity is 90%.
- The refrigerator works properly under the maximum inclination angle 30 degrees. (Note: If the inclination angle exceeds 15 degrees, the noise will increase when the refrigerator is working, but no influence to the refrigeration function).
- The raw materials used in the production process all meet the restrictions and requirements of all kinds of laws and regulations.

## **General requirements for all instructions CB, LVD:**

- GWP: R134a: 4
- This appliance is not intended for use by persons (including Children) with reduced physical, sensory or mental capabilities, or lack of experience and knowledge, unless they have been given supervision or instruction concerning use of the appliance by a person responsible for their safety.
- Children should be supervised to ensure that they do not play with the appliance.
- This appliance can be used by children aged from 8 years and above and persons with reduced physical, sensory or mental capabilities or lack of experience and knowledge if they have been given supervision or instruction concerning use of the appliance in a safe way and understand the hazards involved. Children shall not play with the appliance. Cleaning and user maintenance shall not be made by children without supervision.
- Children aged from 3 to 8 years are allowed to load and unload refrigerating appliances.

- It must only be supplied at safety extra low voltage corresponding to the marking on the appliance.
- If the supply cord is damaged, it must be replaced by the manufacturer, its service agent or a similarly qualified person in order to avoid a hazard.
- Suitable for camping use and the appliance shall not be exposed to rain.

## **CAUTION**

- Please keep the products away from the fire or similar glowing substance before you dispose the refrigerator.
- Disconnect the power supply before cleaning and maintenance.
- Do not store explosive substances such as aerosol cans with a flammable propellant in this appliance.
- This appliance is intended to be used in household and similar applications such as
  - staff kitchen areas in shops, offices and other working environments;
  - farm houses and by clients in hotels, motels and other residential type environments;
  - bed and breakfast type environments;
  - catering and similar non-retail applications.

## **WARNING!**

When positioning the appliance, ensure the supply cord is not trapped or damaged.

## **WARNING!**

Do not locate multiple portable socket-outlets or portable power supplies at the rear of the appliance.

## **To avoid contamination of food, please respect the following instructions:**

- Opening the door for long periods can cause a significant increase of the temperature in the compartments of the appliance.
- Clean regularly surfaces that can come in contact with food and accessible drainage systems.
- Store raw meat and fish in suitable containers in the refrigerator, so that it is not in contact with or drip onto other food.
- If the refrigerating appliance is left empty for long periods, switch off, defrost, clean, dry, and leave the door open to prevent mould developing within the appliance.

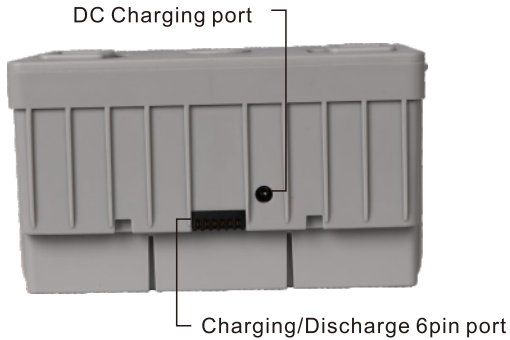
## **Correct Disposal of this product**



- This marking indicates that this product should not be disposed with other household wastes throughout the EU. To prevent possible harm to the environment or human health from uncontrolled waste disposal, recycle it responsibly to promote the sustainable reuse of material resources. To return your used device, please use the return and collection systems or contact the retailer where the product was purchased. They can take this product for environmental safe recycling.

## **The specification requirements for battery models only:**

- – the battery must be removed from the appliance before it is scrapped;
- the appliance must be disconnected from the supply mains when removing the battery;
- the battery is to be disposed of safely.



- – the type reference of the battery;  
(JG01-3S6P)
- the orientation of the battery with regard to polarity;
- the method of replacing batteries;

As shown in Fig. 1, press the battery button along the direction of the arrow, then pull out the battery as shown in Fig. 2, and finally pull out the battery as shown in Fig. 3. Remove the battery according to local requirements to recycle properly disposed of.

Take out a new battery pack, according to the positive and negative marks on the battery pack, aim at the positive and negative poles in the cabin, and put them into the cabin.



①



②



③

### **details regarding safe disposal of used batteries;**

When the battery life ends, it should be removed from the equipment immediately. Disposal the battery safely and properly (follow the local waste battery recycling requirements). Do not put it directly into fire or water.

### **warning against using non-rechargeable batteries;**

The use of non-rechargeable batteries may explode, do not use any other batteries without permission, the equipment must use the manufacturer's battery.

### **how to deal with leaking batteries.**

If the battery leaks are found, stop using it immediately, remove it and dispose of it safely and properly according to local waste battery recycling practices.

- **The instructions give information regarding charging**

With charging voltage 12.6V(4.2V/cell), current 3.12A. continued to charge the battery pack, when charging current drops to 0.312A. charging is terminated, shall be full charged.

## **| Safety Warning**



### **Battery Precautions and Safety Instructions**

- Please be sure to take to comply with the specifications and the following precautions to use with batteries, did not follow the specifications for the operation caused any accidents, Jianguang Electronic Co, Ltd. will not accept any responsibility.
- Please use 0.5C current to charge up 60% capacity after the battery placed 3 months.
- Before Use the battery, carefully read the instruction and battery labels on the surface.
- Need to use the original battery charger, and should be placed in a dry ventilated place.
- Such as long-term when not in use, the battery charger to charge state half full, remove the battery from the device and separated, to avoid metal

contact with the battery, causing short-circuit or damage to the phenomenon.

- In use or during storage, battery found there has been high fever, leakage, odor, distortion and other anomalies, please stop using it immediately and stay away from the battery.
- Do not short-circuit the battery positive and negative, and careful not to allow the battery to moisture, to avoid danger.
- Using keep away from heat, High pressure place, and do not beat, hit the battery.
- Battery end of life should be immediately removed from the equipment, Please properly handle security of spent batteries, do not put into fire or water.

## **CAUTION**

Failing in following items can cause leakage, heat even fire:

- Prohibition of reverse charge of battery.
- Prohibition of overcharge of battery.
- Prohibition of overdischarge of battery.
- Prohibition of short circuit of positive and negative of battery.
- Please charge by specified charger.
- Don't knock, beat, nail or disassemble battery.
- Please keep away from fire or other heating sources and prohibition of dumping of battery into fire.

## **Guideline**

- If electrolyte comes into contact with the skin or eyes where shall flush the electrolyte immediately with fresh water and physicians' advice is to be sought.
- Don't use or storage battery under the circumstance beyond specified, unless will weaken battery performance and shorten battery life-span, even will cause heating, fire or explosion.
- Please insure battery in quality guarantee duration before using.
- If batteries are too dirty, please clean them before using. Unless will cause abnormal work of battery.

This device complies with Part 15 of the FCC Rules. Operation is subject to

the following two conditions: (1) this device may not cause harmful interference, and (2) this device must accept any interference received, including interference that may cause undesired operation.

**FCC Caution:**

Changes or modifications not expressly approved by the part responsible for compliance could void the user's authority to operate the equipment.

**FCC Statement:**

"This equipment has been tested and found to comply with the limits for a Class B digital device, pursuant to part 15 of the FCC Rules. These limits are designed to provide reasonable protection against harmful interference in a residential installation. This equipment generates, uses and can radiate radio frequency energy and, if not installed and used in accordance with the instructions, may cause harmful interference to radio communications. However, there is no guarantee that interference will not occur in a particular installation. If this equipment does cause harmful interference to radio or television reception, which can be determined by turning the equipment off and on, the user is encouraged to try to correct the interference by one or more of the following measures:

- Reorient or relocate the receiving antenna.
- Increase the separation between the equipment and receiver.
- Connect the equipment into an outlet on a circuit different from that to which the receiver is connected.
- Consult the dealer or an experienced radio/TV technician for help."

**RSS-Gen & RSS-247 statement:**

This device complies with Industry Canada licence-exempt RSS standard(s).

Operation is subject to the following two conditions: (1) this device may not cause interference, and (2) this device must accept any interference, including interference that may cause undesired operation of the device.

Le présent appareil est conforme aux CNR d'Industrie Canada applicables aux appareils radio exempts de licence.

L'exploitation est autorisée aux deux conditions suivantes : (1) l'appareil ne doit pas produire de brouillage, et (2) l'utilisateur de l'appareil doit accepter tout brouillage radioélectrique subi, même si le brouillage est susceptible d'en compromettre le fonctionnement.

### **RSS-102 Statement:**

This equipment complies with Industry Canada radiation exposure limits set forth for an uncontrolled environment. Cet équipement est conforme à l'exposition aux rayonnements Industry Canada limites établies pour un environnement non contrôlé.

## **Operation**

### **1 Before initial use**

#### **! CAUTION !**

- Please check whether the accessories are available at the first when opening the package.
- Please place the product in a dry place, and pay attention to prevent rainwater from spilling.
- Please do not use the product with the main power supply device outdoors, and be carefully not to wet the power supply device.
- There is a 12/24V DC power supply interface on the power supply device. Do not place the device near naked flames or other heat sources (heaters, direct sunlight, gas ovens etc.).
- Ensure that there is sufficient ventilation so that the heat that arises during operation does not build up. Make sure that the device is sufficiently far away from walls and other objects so that the air can circulate. Ensure that the ventilation openings are not covered.



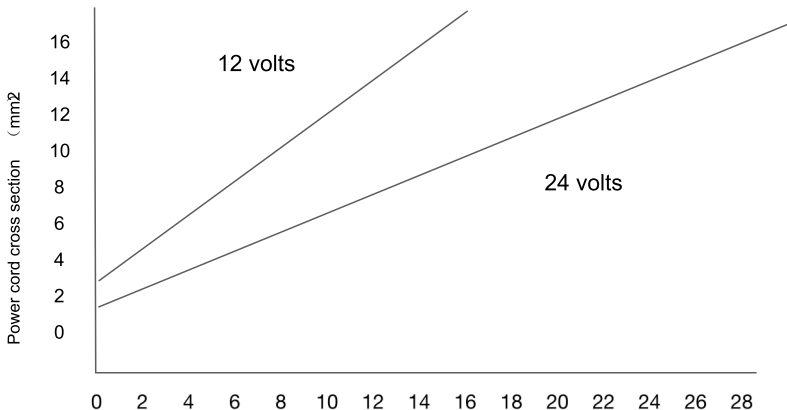
## 2 Power-on operation

### **Warning--danger of damaging the refrigerator**

- The refrigerator can be directly plugged in 12V DC power supply or 24V DC power supply.
- Before connecting the power, please check whether the output voltage of the power supply meets the working voltage range of the product.

### **Warning--electric current danger**

- Connect the DC power cable directly to the battery with a 10A fuse. Please note that the positive power cable is connected to the positive pole of the battery, and the negative power cable is connected to the negative pole of the battery.
- In order to prevent the voltage loss from affecting the cooling effect of the product, the power cable should be as short as possible. Always ensure that the power cable is straight through. Therefore, avoid the use of additional switch plugs or connecting box.
- If the power cable is too short, or it does not match the power cable of the refrigerator model you are using, please purchase a power cable that meets the corresponding regulations or extend the power cable from a designated product dealer.
- When choosing the cross section of the power cord, please refer to the following table:



## CAUTION !

- Disconnect the refrigerator and other power consuming devices from the battery before connecting the quick charging device.
- The refrigerator consumes a certain amount of current during operation. Therefore, when the refrigerator is not used for a short period of time, please turn it off directly.

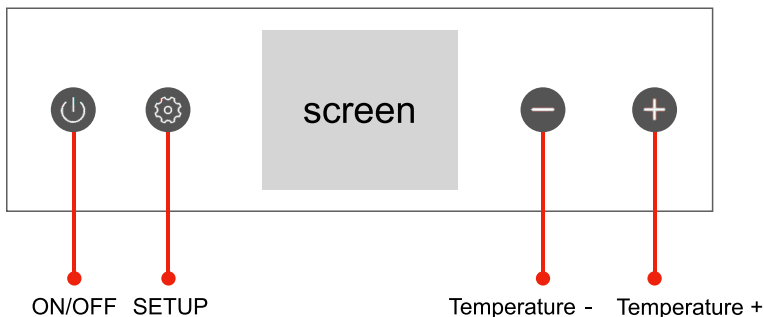
### 3 Battery protector

- For safety reasons, the refrigerator is equipped with an electronic system to prevent polarity reversal. This protects the refrigerator against short-circuiting when connecting to a battery.
- In order to protect the battery, when the battery voltage is insufficient, the circuit control system on the refrigerator will automatically turn off, which can effectively protect the battery. The relevant start voltage and disconnect voltage data as below.

## Hazard warnings

- In order to protect your battery from being completely depleted and affecting other uses, it is recommended to set the voltage level to "H" or " M " .
- Never handle plugs and switches with wet hands or if you are standing on a wet surface.

## Use of refrigerators



## 1 Power On/Off

- Switch on the refrigerator, press the on/off button, then the LCD display lights up and the compressor starts to work.
- Long press the on/off button for 3 seconds, then release the buzzer will beep for 1 second, then the LCD display lights off and the compressor will stop working.

## 2 Setting temperature

- Press the setting button, the buzzer will beep for 500ms, and the temperature display on the LCD screen will start to flash. At this time, you can start to set the internal control temperature of the refrigerator. Press the "+" and "-" button to set, the temperature range is  $-22^{\circ}\text{C} \sim +10^{\circ}\text{C}$  ( $-8^{\circ}\text{F} \sim 50^{\circ}\text{F}$ );
- Press the setting button again, or do not press any button for 10 seconds, the temperature display stops flashing, the device temperature has been fixed, and it starts to adjust to the selected temperature.

## 3 Running mode setting

- Long press the setting button for 3 seconds, then release the buzzer will beep for 1 second. The C ( $^{\circ}\text{F}$ ), max (eco), H (M, L) of the LCD display start to flash, and you can set the below functions.
- Press the setting button, the battery protection level [ H, M, L ] displayed alternately, you can set the battery voltage protection level.
- Press the temperature[-], [ $^{\circ}\text{C}$ ,  $^{\circ}\text{F}$ ] displayed alternately, you can set the temperature scale.
- Press temperature [+], [ max and eco ] displayed alternately, and the control mode can be set.
- No operation for 10 seconds, the display stop flashing, and the refrigerator works according to the newly set parameters.

## 4 Bluetooth connection settings

- When the refrigerator starts, the Bluetooth is always on, and you can use the mobile app to connect to the Bluetooth.

Input power	Voltage gear	Compressor ON/OFF voltage (V)
12V	Low on	$11.4 \pm 0.3$
	Mid on	$12.2 \pm 0.3$
	Hi on	$12.6 \pm 0.3$
	Low off	$10.1 \pm 0.3$
	Mid off	$11.2 \pm 0.3$
	Hi off	$11.8 \pm 0.3$
12<->24V	12V/24V Switching voltage	$17 \pm 0.3$
24V	Low on	$23.5 \pm 0.3$
	Mid on	$25.3 \pm 0.3$
	Hi on	$26.0 \pm 0.3$
	Low off	$22.0 \pm 0.3$
	Mid off	$24.1 \pm 0.3$
	Hi off	$24.6 \pm 0.3$


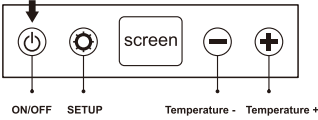
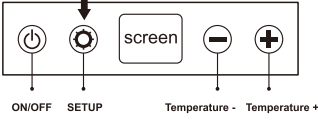


Battery protection voltage gear parameter table

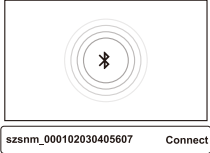


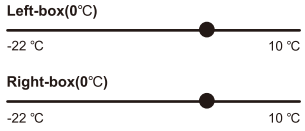
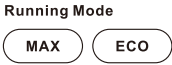
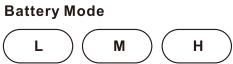
## 5 Energy saving tips

- Choose a well ventilated installation location which is protected against direct sunlight.
- Allow warm food to cool down first before placing it in the cooling device to keep cool.
- Defrost the refrigerator regularly. Or defrost the refrigerator once a layer of ice forms.

- Avoid unnecessarily low temperatures.
- Do not leave the lid of the refrigerator open longer than necessary.
- If you do not use the refrigerator for a long time, please keep the refrigerator as follows:
- Unplug the DC power cord from the DC port or remove the power cable from the battery.
- Clean the refrigerator. Keep the refrigerator lid open to against moisture and mustiness.

## Operation guidelines for Bluetooth APP

Steps	Graphic	Operation description
1	 <p>Car Refrigerator</p>	First, download and install the Car Refrigerator Bluetooth App on the Apple Store or on the Web site by scanning the QR code
2	 <p>ON/OFF    SETUP    screen    Temperature -    Temperature +</p>	After the refrigerator is energized with DC12/24V, press the "on/off" button for 1s, and then release the button to start the machine
3	 <p>ON/OFF    SETUP    screen    Temperature -    Temperature +</p>	After power-on, the Bluetooth icon will appear in the lower right corner of the screen
4		The Bluetooth icon is displayed in the lower right corner of the display
5	 <p>Car Refrigerator</p>	After the Bluetooth icon is displayed on the screen, turn on the phone's Bluetooth connection feature, and open the Car Refrigeration App

6		Enter the Bluetooth scan connection interface, scan to the refrigerator code, and click the connection after the code
7		After the connection, enter the CAR Refrigerator control screen, and the top part shows the left/right compartment temperature
8		Switch displays both CELSIUS and Fahrenheit
9		Lightly press the punctuation point position to slide, the temperature of the left/right compartment can be set, the temperature range is -22°C~10°C
10		Click MAX or ECO to set the refrigeration mode
11		Click L, M and H to set the battery voltage protection gear
12	End	<p>After the setting is completed, you can exit the Bluetooth APP.</p> <p>If the phone does not exit the Bluetooth APP after the setting is completed, the Bluetooth and the APP will continue to connect until the refrigerator is turned off or the APP exits.</p>

# Cleaning and Maintenance

## 1 Cleaning

- The device can be used directly without cleaning.
- If necessary, clean it with a soft cloth dampened with warm water.

### **CAUTION !**

- Please clean the refrigerator regularly during use!
- Never handle plugs and switches with wet hands or if you are standing on a wet surface.
- Please do not use corrosive or acidic cleansers to clean the inner container of the refrigerator.
- Do not use hard cleaning tools such as brushes for cleaning.
- Please wipe the refrigerator with a dry cloth after cleaning.

## 2 Maintenance

### **Warning! The effect of damaging the refrigerator**

- Humidity can form frost in the interior of the cooling device or on the evaporator, which will reduce the cooling capacity.
- When defrosting, please do not use sharp tools or tools that may damage the refrigerator evaporation plate or plastic parts. Please defrost at an appropriate time.
- To defrost the refrigerator, proceed as follows :

- Please take out the contents of the cooling device and place them in another cooling device to keep them cool. Switch off the device.
- Leave the cover open and wipe off the defrosted water.

## Other Settings

### 1 Charging port and lighting

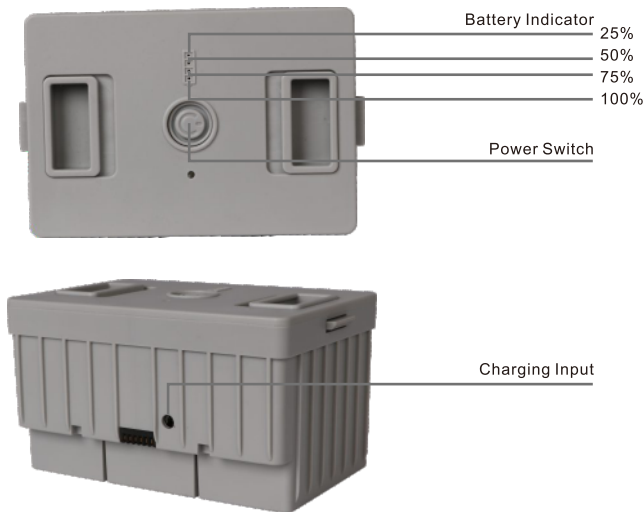
No.	Name	Function Description
1	USB charging port	<p>DC5V/2A output, only for USB charging.</p> <p>Note 1: When the device is connecting DC power supply without protection, no output on the USB port.</p> <p>Note 2: When switch off the device, as long as it is under DC power supply protection, the USB port still has output.</p> <p>Note 3: When the maximum output is 2A, charging of high-power USB devices is prohibited.</p>
2	Lighting	<p>White LED, the light is on when the door is opened, and the light is off when the door is closed.</p> <p>Note: When switch off the device, as long as the power supply is not undervoltage, the inner light can still be used.</p>



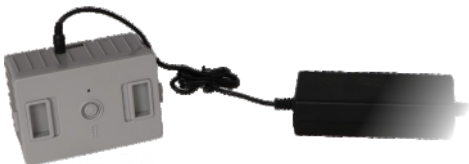
# Battery Power Operation

## 1 Battery bank (FCR series):

- Model No:X200
- Lithium Ion Rechargeable Battery:18650/15600mAh/173.16Wh
- Nominal Voltage:11.1V
- Limited Charging Voltage:12.6V
- Limited Charging Current:3A



## 2 Battery bank Independent charge:



**When charging the battery bank separately, please use a special charger controller, or please contact us for details.  
For non-professionals, please do not open the battery.**

# Troubleshooting

## 1 Temperature detection fault

- When the temperature detection fails, the display shows an error message [ F1° C ], it means the NTC function is defective, which can only be repaired by an authorised repair centre.
- When the fault indicator flashes, it means the DC power supply voltage is lower than the currently set "Battery Voltage Protection" gear. The battery needs to be charged or set the "Battery Voltage Protection" gear lower for using continuously.
- The flashing red light indicates an error message during the operation of the refrigerator. The frequency of flashing depends on the type of error. Each flash will last for a quarter of a second, and there will be a pause after a series of flashes, as shown in the following table. The error indicator will flash repeatedly every 4 seconds.

Frequency of Flashing	Fault	Possible Causes
1	Operating voltage too low	Voltage is lower than 9.6V and needs charging
2	Fan current too high	The current in the fan load circuit exceeds 1A
3		The pressure difference in the refrigeration system is too large (>5bar)
4	Compressor rotational speed too low	The refrigeration system is overloaded, the motor cannot maintain the minimum speed of 1800 rpm
5	Part of circuit overheated	The ambient temperature is too high or the ventilation is not good

- Note: In case of the above 2, 3, 4, and 5 failures, you can switch off the device and restart it after sufficient time.
- If the fault persists, you need to contact an authorised repair centre.

## 2 Bad cooling effect and high internal temperature

Fault	Possible Causes	Suggested Remedy
The compressor has been working for a long time or in working condition all the time	Ambient temperature is too high	Move the device to a place with suitable ambient temperature
	Poor ventilation or insufficient air supply	Move the device to another place to ensure a good ventilation environment
	Condenser is dirty	Clean the condenser
	Fan failure	Replace the fan
The compressor works intermittently	The battery is exhausted	Charge the battery

## 3 Abnormal Noise

Fault	Possible Causes	Suggested Remedy
Loud drone	A certain part of the device cannot be moved freely (leaning against the wall)	Carefully remove the pressed part
	There is an obstruction between the air inlet/outlet vents on the device and the wall	Clean the obstruction
	Fan noise The device is tilted more than 15 degrees	Make sure the fan is free of any dust and dirt, and place the device as flat as possible

## Technical Data

Model	FC15	FC30	FC40	FC50
Dimensions	632*360*303 mm	635*396*446 mm	635*396*526 mm	635*396*606 mm
Capacity	15L	30L	40L	50L
Cooling System	Low-noise/high-performance compressor, pasted tube evaporation plate			
Temperature Range	-22° C ~ +10° C			
N.W. (kg)	11.4kg	15.9kg	16.6kg	17.8kg
Stable working current DC12V/24V	6.5A 3.0A	7.0A 3.2A	7.5A 3.4A	7.8A 3.6A
Product Material	Plastic shell and outer cover, high-quality evaporation plate, PU insulation layer			
Accessories	Instruction manual/DC power cable/Power adapter			

Model	FCR15	FCR30	FCR40	FCR50
Dimensions	632*360*303 mm	635*396*446 mm	635*396*526 mm	635*396*606 mm
Capacity	15L	30L	40L	50L
Cooling system	Low-noise/high-performance compressor, pasted tube evaporation plate			
Temperature range	-22° C to +10° C			
N.W. (kg)	11.5kg	16.1kg	17.1kg	17.9kg
Stable working current DC12V/24V	6.5A 3.0A	7.0A 3.2A	7.5A 3.4A	7.8A 3.6A
Battery model	18650 lithium battery, battery capacity 15600, charging time 8H-10H, working time 5H			
Product material	Plastic shell and outer cover, high-quality evaporation plate, PU insulation layer			
Accessories	Instruction manual/DC power cable/Power adapter			

# Product Safety Certification

- Certification: CCC, CB, GS, CE, RoHS, EMC, SAA, FCC, etc.
- The company reserves the rights to choose versions, technical modifications and delivery options.
- This refrigerator is a non-fluorine refrigerator, and the refrigerant is R134a.
- Restriction of Hazardous Substances Directive (RoHS)
- To meet the laws, regulations and other requirements related to the restriction of hazardous substances in electrical and electronic products of the People's Republic of China, our company classifies hazardous substances in this product, and declares as follows:

Parts Name	Harmful Substance					
	Lead (Pb)	Mercury (Hg)	Cadmium (Cd)	Hexavalent chromium (Cr(VI))	Polybrominated biphenyls (PBB)	Polybrominated Diphenyl Ether (PBDE)
Body and its components	O	O	O	O	O	O
Door body and its components	O	O	O	O	O	O
Insulation Materials	O	O	O	O	O	O
Compressor	O	O	O	O	O	O
Compressor controller	X	O	O	O	O	O
Refrigeration components	O	O	O	O	O	O
Refrigerant	O	O	O	O	O	O
Electrical components	O	O	O	O	O	O
Power cord and connection line	O	O	O	O	O	O
Packaging and printing materials	O	O	O	O	O	O

This table is compiled in accordance with SJ/T11364.

O: Indicates that the content of the hazardous substance in all homogeneous materials of the part is below the limit requirement of GB/T26572.

X: Indicates that the content of the hazardous substance in all homogeneous materials of the part exceeds the limit requirement of GB/T26572.

\*All parts and their homogeneous materials containing hazardous substances in the detailed list cannot be replaced by hazardous substances due to the limitation of the technological development level of the industry. They meet the strict requirements of the EU RoHS for the restriction of hazardous substances. Please feel free to use them.

Warning: In order to protect the environment, when this product or its components are scrapped, as a consumer, you have the responsibility to separate it from life-cycle and send it to an appropriate recycling. The recycling site will classify, disassemble or recycle it in accordance with relevant national regulations. For detailed information about the recycling of this product, please consult your local government or waste disposal agency.